

# Thermal DigiPlate

*Chemistry-free, Processless  
Computer-to-Plate System*



*True chemical-free and processless technology*

*Thermal, paper-based CTP plate*

*Fully automated 2-up CTP platesetter*

*High speed output*

## Thermal DigiPlate

### Chemistry-free Meets Right-sized

Thermal DigiPlate brings affordable green CTP production to small shops producing mostly one and two color jobs. With high speed production of up to 75 plates/hour and capable of outputting plates up to 18.1" x 20.86", it is also well suited for high-volume environments.

Mitsubishi's Thermal DigiPlate is a 2-up CTP system ideal for small printers with duplicator or 2-up presses, who want an environmentally friendly upgrade from analog and electrostatic plates. The Thermal DigiPlate System is comprised of TDP-R175 plate material and the Thermal DigiPlater platesetter TDP-324/459. Thermal DigiPlate is a truly processless, environmentally friendly system that is easy to operate and maintain.

This unique system draws on Mitsubishi Paper Mills' years of experience in CTP polyester and paper-based plate technologies as well as their thermal paper technologies. Thermal DigiPlate uses a patented thermal fusing technology to create a high-contrast

image on the plate without chemical development, wash-off or ablation. The system requires absolutely no chemicals, toner or ink ribbon, so it's easy to maintain and less costly. No more processor maintenance or chemical disposal. Maintenance is simply wiping clean the thermal head.

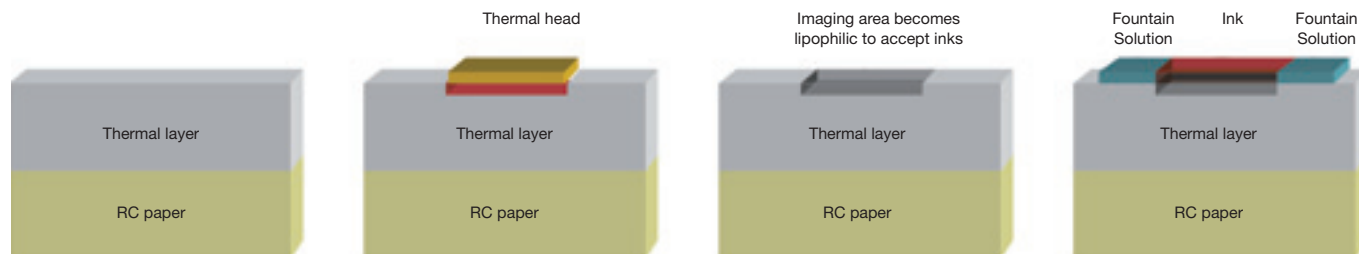
#### Total Automation

The Thermal DigiPlater is a fully automated CTP system. It requires minimal training to operate and minimal time to produce press-ready plates. You simply load it with a roll of Thermal DigiPlate TDP-R175 and the Thermal DigiPlater essentially runs itself. You can send 1-bit Tiff files from a RIP to the TDP Controller. Plates are imaged, cut to size and ready for press in less than a minute. Conventional platemaking steps like exposing and processing film, paste-up, stripping and plate burning are suddenly obsolete, as is chemical processing. That saves you time, money and materials.

#### Right-sized Production

The Thermal DigiPlater's high-speed, in-line thermal head technology can produce up to 75 plates per hour at 1200 dpi. Plate sizes range from 10" x 5.9" to 18.1" x 20.86" (depending on the platesetter model) to accommodate forms, duplicators and two-up presses. Add to this a compact footprint that can fit in even the smallest of shops. With this truly processless system, savings on consumables also frees up your storage space. No more chemicals, toner, ribbons or special disposal systems.

### Thermal DigiPlate Imaging



### Be Green, Get Green

Printers know that to compete in today's market, CTP production is required for cost-effective offset printing. The Thermal DigiPlate CTP System brings the small printer the added benefits of processless, chemical-free platemaking. TDP improves the work environment for your employees while reducing your business' impact on the environment. The savings abound with Thermal DigiPlate - material savings, disposal savings, maintenance savings, labor savings and time savings. All of this, plus stream-lined CTP production and faster turn-around times, give you the competitive edge to gain more jobs and increase your profitability. Learn more about it by contacting Mitsubishi Imaging today.

### Features of the Thermal DigiPlate

#### TDP-324/459 Platesetter

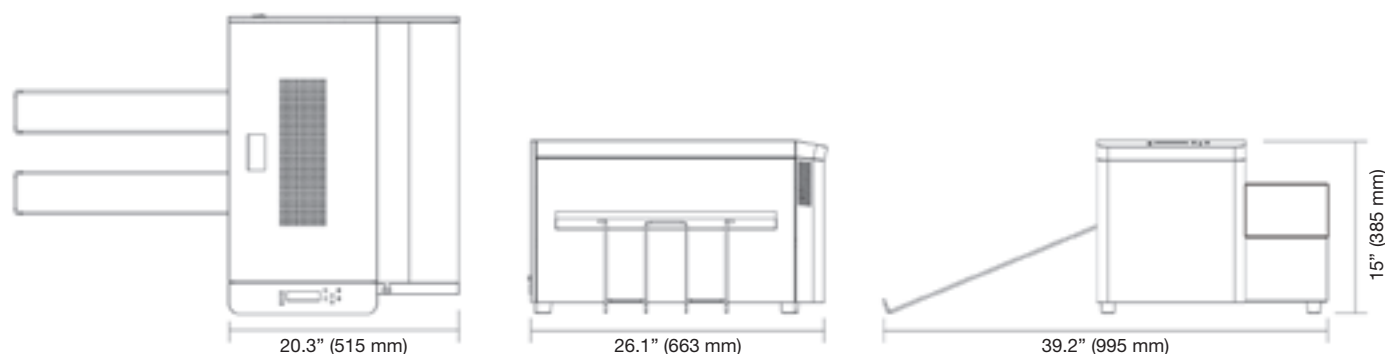
- In-line thermal head technology
- Optimized for duplicator or 2-up format with a resolution of 1200 dpi and up to 120 lpi
- No chemicals, toner or ink ribbon are necessary, making for easy maintenance
- High speed output - 75 plates/hr

### Features of the Thermal DigiPlate

#### TDP-R175 Plates

- Truly processless CTP paper-based plate
- Absolutely no chemicals are required for the processing of the printing plates
- High contrast image, good repeatability and easy control of the images
- The resin coated paper plate is available in rolls

### Thermal DigiPlater – Dimensions



### Technical Specifications

#### Thermal DigiPlater TDP-324/459

<b>Imaging Technology</b>	Thermal in-line head
<b>Output Media</b>	TDP-R175
<b>Plate Size</b>	TDP-324*: 11" x 5.9" to 12.75" x 20.86" (310 mm x 150 mm to 324 mm x 530 mm) TDP-459: 12" x 5.9" to 18.07" x 20.86" (310 mm x 150 mm to 459 mm x 530 mm)
<i>*Minimum width 10" (254 mm) available as no charge optional adjustment</i>	
<b>Max. Recording Width</b>	TDP-324: 12.75" x 20.5" (324 mm x 520 mm) TDP-459: 14.2" x 20.5" (360 mm x 520 mm)
<b>Resolution</b>	1200 dpi
<b>Recording Speed</b>	75 plate / hour (18.07" x 20.7" (459 mm x 525 mm))
<b>System Conf.</b>	Windows 2000 Professional, Windows XP
<b>Option</b>	TDP Controller Software (1-bit TIFF)
<b>Power Requirement</b>	AC100 / 220V Auto sensing
<b>Dimensions</b>	W x D x H: 20.2" x 26" x 15" (514 x 662 x 383 mm)
<b>Weight</b>	121lbs (55 kg)
<b>Environment</b>	77±9°F (25±5°C), 50-70% RH

#### TDP-R175

<b>Base</b>	.008" (0.20 mm) resin coated paper
<b>Resolution</b>	1200 dpi
<b>Line Screen</b>	Up to 120 lpi
<b>Dot Range</b>	5% to 90%
<b>Run Length</b>	5000 impressions (depending on press conditions)

# Thermal DigiPlate Print. Profit. Preserve.

## Value in Vision

Thermal DigiPlate chemistry-free CTP is just one of dozens of innovations that Mitsubishi Imaging brings you. We are the industry leader in polyester plate technology. Our full range of platesetters and consumables enhance your production workflow. Our proofing papers set the standard for color consistency. In short, everything we do is designed to add value to your vision.



555 Theodore Fremd Ave.  
Rye, NY 10580-1451  
800.765.9384  
[www.mitsubishiimaging.com](http://www.mitsubishiimaging.com)



Fuji Building  
2-3, Marunouchi 3-chome  
Chiyoda-ku, Tokyo 100-0005, Japan  
+81-3-3213-3744